

# THE BLIND SHOP

## Measuring Guide

### Cassette & Side Track Roller Blinds

#### USEFUL TIPS

- Use a metal tape measure
- Measurements should always be in centimetres
- Measure the width first followed by the drop (width x drop)
- Measure all windows even if they appear to be the same

#### CASSETTE SIZE

We offer two sizes of cassette. The table below shows the size of cassette to be used.

| Type of Blind/Motor               |                           | Smaller Cassette<br>65mm height x<br>68mm depth | Larger Cassette<br>90mm height x<br>90mm depth |
|-----------------------------------|---------------------------|---|--|
| Manual blinds up to 200cm wide    |                           | ✓   |  |
| Manual blinds over 200cm wide     |                           |   | ✓  |
| Motorised blinds up to 200cm wide | Somfy Roll Up 24          | ✓   |  |
|                                   | Somfy Sonesse<br>Ultra 30 |   | ✓  |
| Motorised blinds over 200cm wide  | Somfy Sonesse<br>Ultra 30 |   | ✓  |

Any questions? Call us on 01273 462196

THE BLIND SHOP

theblindshop.com

## OPTIONS:

### Fixing Brackets

Our Cassette can be top fixed, face fixed or direct face fixed. Your choice depends on where the cassette needs to be positioned. For example, you may need to clear obstructions such as window handles.

### 1. TOP FIX BRACKETS

Depth Allowance

6.8cm for smaller cassette

9cm for larger cassette



### 2. FACE FIX BRACKETS

Depth Allowance

8cm for smaller cassette

10.5cm for larger cassette

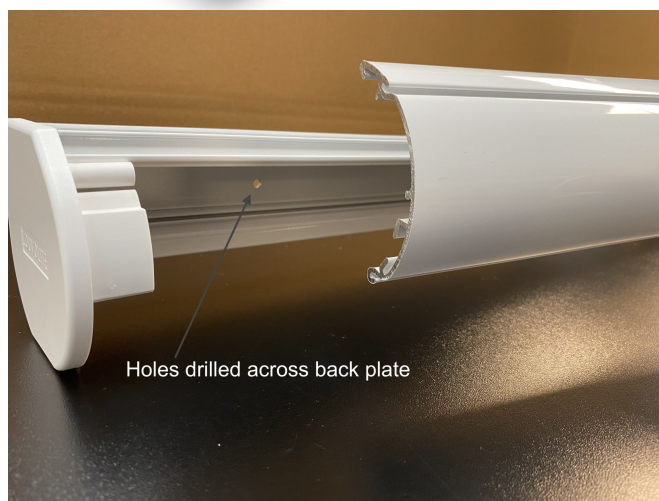


### 3. NO BRACKETS (DIRECT FACE FIX)

Depth Allowance

6.8cm for smaller cassette

9cm for larger cassette



Any questions? Call us on 01273 462196

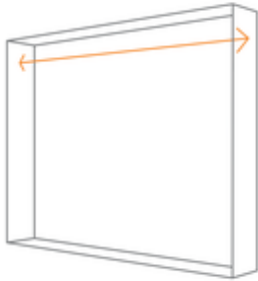
THE BLIND SHOP

[theblindshop.com](http://theblindshop.com)

## OPTIONS: Measurement Type

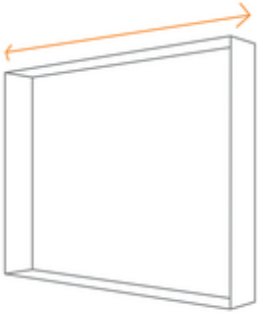
The 'Measurement Type' depends on where the cassette & side tracks will be fitted.

For **CASSETTE & SIDE TRACKS** you have three options:



### RECESS SIZE

You provide the width and drop of the window recess. We only deduct 1 millimetre to the overall width and drop to ensure your cassette & side tracks fit snugly.



### EXACT CASSETTE & TRACK SIZE

We won't make any adjustments to your measurements. The width you provide will be the width of the cassette & side tracks.

Any questions? Call us on 01273 462196

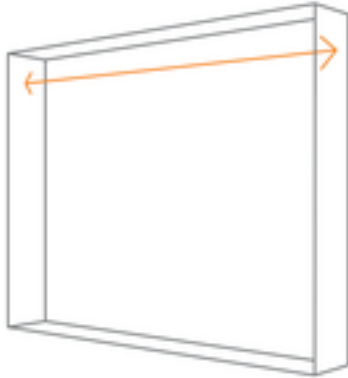
THE BLIND SHOP

theblindshop.com

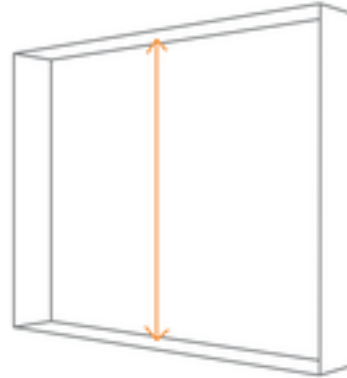
**EXAMPLE:**  
How to measure for inside recess fitting

**SELECT MEASUREMENT TYPE: RECESS SIZE**

This is the most common type of fitting.  
We will make the necessary adjustments to ensure your cassette & side tracks fit snugly.



**WIDTH**  
Measure the width of the window recess where the cassette will be fitted. This is the **WIDTH** measurement.



**DROP**  
Measure the height of the window recess. This is the **DROP** measurement.

**NOTE:**  
Ensure the window recess is deep enough to fit the cassette, allowing the blind to clear any obstructions such as window handles. Choose from the fixing bracket options that suit best (see page 1).

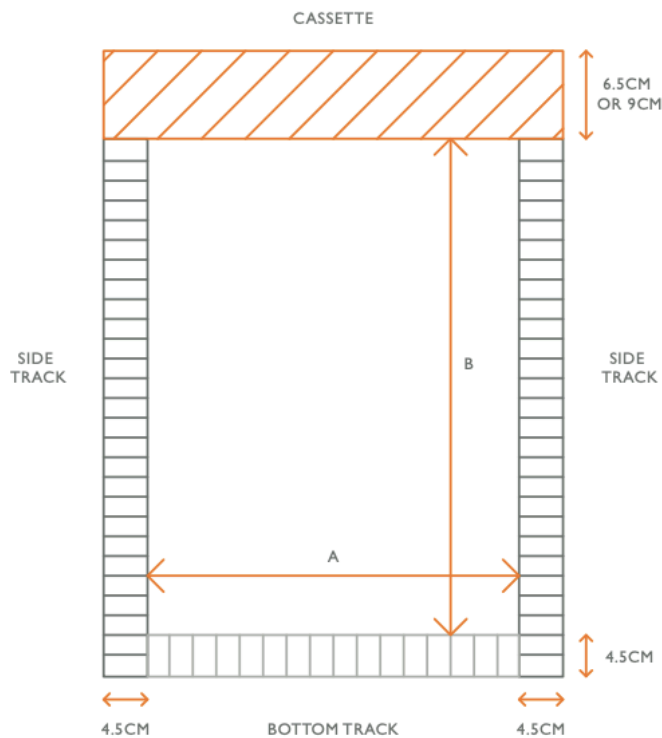
Any questions? Call us on 01273 462196

THE BLIND SHOP  
theblindshop.com

## EXAMPLE:

How to measure for fitting around a window aperture (like a picture frame)

### SELECT MEASUREMENT TYPE: EXACT CASSETTE & TRACK SIZE



## WIDTH

Measure the width of the aperture (A) and add 9cm to allow for both side tracks. This is the **WIDTH** measurement.

## DROP

Measure the height of the aperture (B) and add the following measurements according to your requirements:

### For Cassette Only

For the cassette to sit directly above the aperture, add 6.5cm for the small cassette or add 9cm for the large cassette. This is the **DROP** measurement.

Or

### For Cassette **and** Bottom Bar

For the cassette **and** the bottom bar of the roller blind to sit directly above the aperture, add 9.5cm for the small cassette or add 12.5cm for the large cassette. This is the **DROP** measurement.

And

### For Optional Bottom Track

For the optional bottom track to sit directly under the aperture, also add 4.5cm. This is the **DROP** measurement.

Any questions? Call us on 01273 462196

THE BLIND SHOP

theblindshop.com