

# THE BLIND SHOP

Measuring Guide  
Bottom Up Roller Blinds

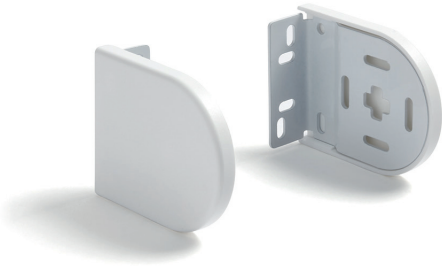
## USEFUL TIPS

- Use a metal tape measure
- Measurements should always be in centimetres
- Measure the width first followed by the drop (width x drop)
- Measure all windows even if they appear to be the same
- Look for obstructions like window handles, sockets, picture rails, skirting boards, tiles and alarm sensors and ensure you position the blinds where they won't interfere

If you have any questions, feel free to call us on 01273 462196

## OPTIONS: Fixing Bracket

Our Bottom Up Roller Blind fixing brackets come in two sizes - 32mm or 40mm. The size we use depends on the size of your roller blind and the weight of the fabric. In general, blinds of 3m<sup>2</sup> will be made with 40mm brackets. Please contact us if you have any questions about this. The brackets can be orientated for either top fixing or face fixing. Your choice depends on where the blind needs to be positioned. For example, you may need to clear obstructions such as window handles.



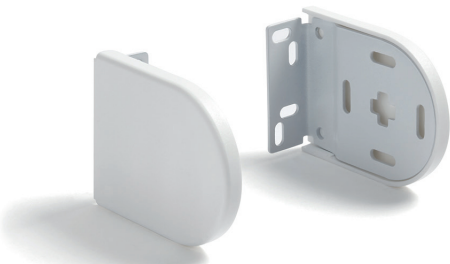
### 1. 32mm BRACKETS Orientated for face fixing

Depth Allowance: 6.5cm



### 2. 32mm BRACKETS Orientated for top fixing

Depth Allowance: 5.5cm



### 3. 40mm BRACKETS Orientated for face fixing

Depth Allowance: 7cm



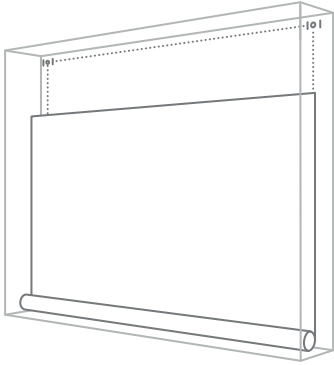
### 4. 40mm BRACKETS Orientated for top fixing

Depth Allowance: 6cm

## OPTIONS: Measurement Type

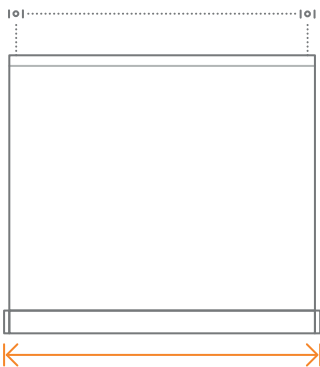
The 'Measurement Type' depends on where your blind will be fitted.

For **BOTTOM UP ROLLER BLINDS** you have three options:



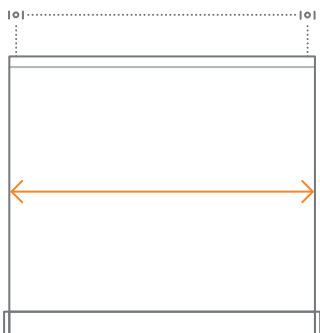
### RECESS FIT

You provide the width and drop of the window recess. We make the necessary adjustments to ensure your blind fits perfectly.



### BLIND SIZE

We won't make any adjustments to your measurements. The width you provide will be the width of the blind from bracket to bracket.



### FABRIC SIZE

The width you provide will be the width of the fabric. (The brackets and mechanism will add to the overall width of the blind.)

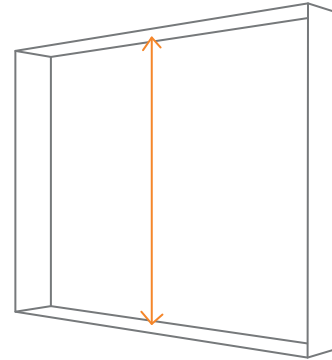
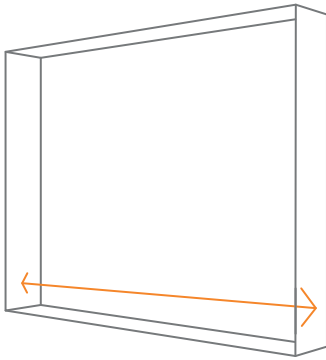
## EXAMPLE:

### How to measure for inside window recess

#### SELECT MEASUREMENT TYPE: RECESS FIT

This is the most common type of fitting.

We will make the necessary adjustments to ensure your blind fits perfectly.

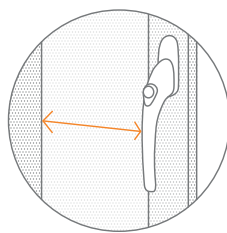
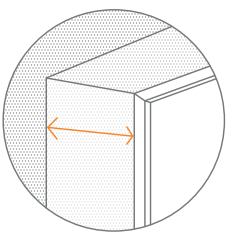


#### WIDTH

Measure the width of the window recess at the actual point where the blind will be fitted. This is the **WIDTH** measurement.

#### DROP

Measure the height of the window recess. This is the **DROP** measurement.



#### NOTE

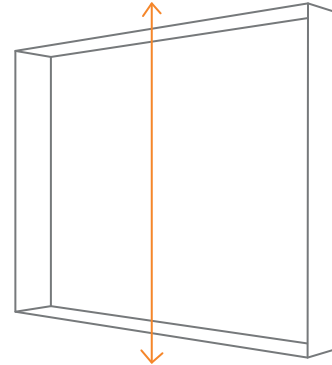
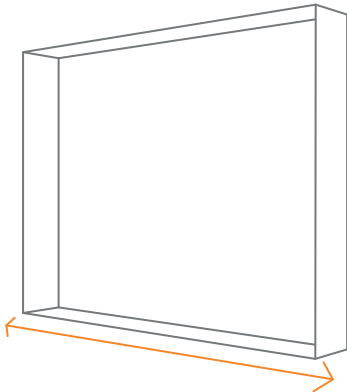
Ensure the window recess is deep enough to fit the blind allowing it to clear any obstructions such as the window handles. Choose from the fixing bracket options that suit best (see page 3).

## EXAMPLE:

### How to measure for outside window recess - Option A

#### SELECT MEASUREMENT TYPE: BLIND SIZE

If you know the exact area you want the Bottom Up Roller blind to cover, measure the width and drop of the area. We will make the blind to your exact measurements.

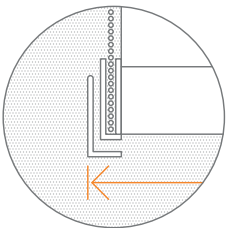


#### WIDTH

Measure the width of area you want the blind to cover (including its mechanism and brackets). This is the **WIDTH** measurement.

#### DROP

Measure the height of the area you want the blind to cover. This is the **DROP** measurement.



#### NOTE

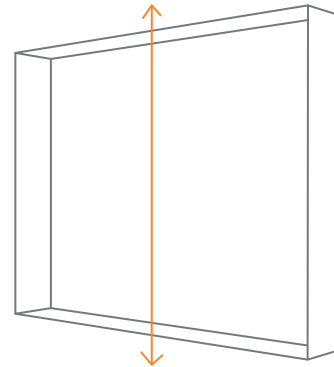
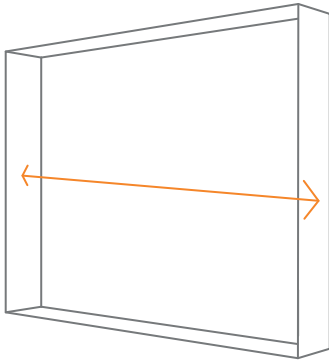
The width measurement is the width of the blind including its brackets.

## EXAMPLE:

### How to measure for outside window recess - Option B

#### SELECT MEASUREMENT TYPE: FABRIC SIZE

If you know the exact area you want the fabric of your Bottom Up Roller blind to cover, measure the width and drop of the area. For example, if you are fitting your blind outside the window recess and you want the fabric to overlap the window recess by 5 cm on each side, then measure the width of the window recess and add 10cm.



#### WIDTH

Measure the width of area you want the fabric of the blind to cover. This is the **WIDTH** measurement.

#### DROP

Measure the height of the area you want the blind to cover. This is the **DROP** measurement.

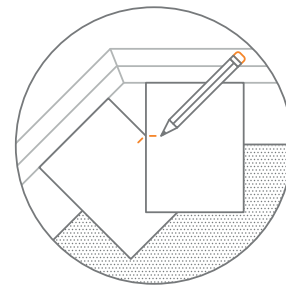
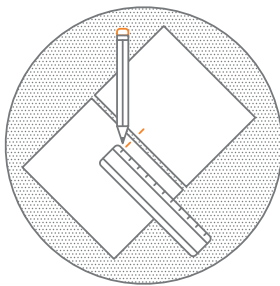
## EXAMPLE: How to measure for angled bay windows

### SELECT MEASUREMENT TYPE: BLIND SIZE

Decide on the fixing bracket option for your blinds and note its 'Depth Allowance' (see page 3). Use the 'Depth Allowance' to work out where your blinds will be positioned.

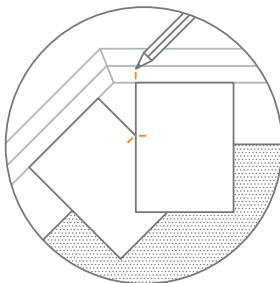
#### YOU WILL NEED

Two pieces of card  
Pencil  
Metal tape measure  
Ruler

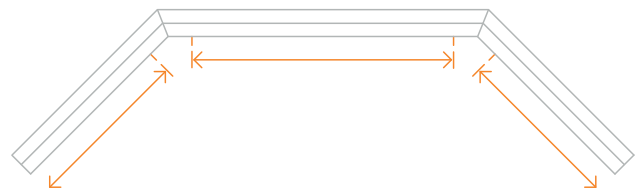


1 Place the two pieces of card edge to edge and mark a line for the Depth Allowance on both pieces of card.

2 Hold the two pieces of card against the corner of the bay so that the two marked lines meet.

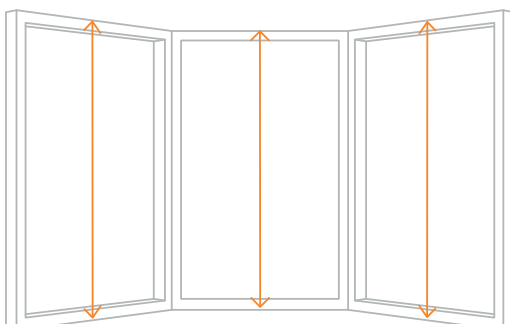


3 Mark the window frame where the card meets the window.



4 Repeat steps 2 and 3 for the other corner of the bay window. Measure the distance between the marks on the window frame. This is the **WIDTH** measurement.

5



Measure the drop from where the bottom of the blind will sit to where you want the blind to end. This is the **DROP** measurement.



## EXAMPLE:

### How to measure for box bay windows

#### SELECT MEASUREMENT TYPE: BLIND SIZE

Decide the layout option for your blinds and decide whether the blinds will be top fixed. Decide on the fixing bracket option for your blinds and note its 'Depth Allowance' (See page 3). Use the 'Depth Allowance' to work out where your blinds will be positioned.



#### OPTION A

This is the most common option for box bay windows. The main blind runs to the corners of the main window and the side blinds butt up to the main blind.

- 1 Measure the width of the main window. This is the **WIDTH** measurement for the centre blind.
- 2 Measure the width of each of the side bays and deduct the Depth Allowance from the width. This is the **WIDTH** measurement for the side blinds.
- 3 Measure the drop for each of the three blinds from where the top of the blinds will sit to where you want the blinds to end.

#### OPTION B

This option results in the three blinds meeting in the corners of the bay without overlapping. There will be a gap between the blinds at the corners, when the blinds are down.

- 1 Measure the width of the main window and deduct double the Depth Allowance. This is the **WIDTH** measurement for the centre blind.
- 2 Measure the width of each of the side bays and deduct the appropriate Depth Allowance from the width. This is the **WIDTH** measurement for the side blinds.
- 3 Measure the drop for each of the three blinds from where the top of the blinds will sit to where you want the blinds to end.

This option can work well with 'reverse roll' as the fabrics sit closer to each other.

#### OPTION C

This option is the least common but is useful when the side bays are smaller than the minimum width we can make a bottom up roller blind (15cm). The side roller blinds are positioned into the corners of the bay and the main roller blind sits in between them.

- 1 Measure the width of each of the side bays. This is the **WIDTH** measurement for the side blinds.
- 2 Measure the width of the main window and deduct double the Depth Allowance. This is the **WIDTH** measurement for the centre blind.
- 3 Measure the drop for each of the three blinds from where the top of the blinds will sit to where you want the blinds to end.

#### NOTE

For drops over 210cm the roll of fabric will sit outside of the perimeter of the brackets. Therefore the Depth Allowance needs to be increased accordingly - please contact us to discuss.