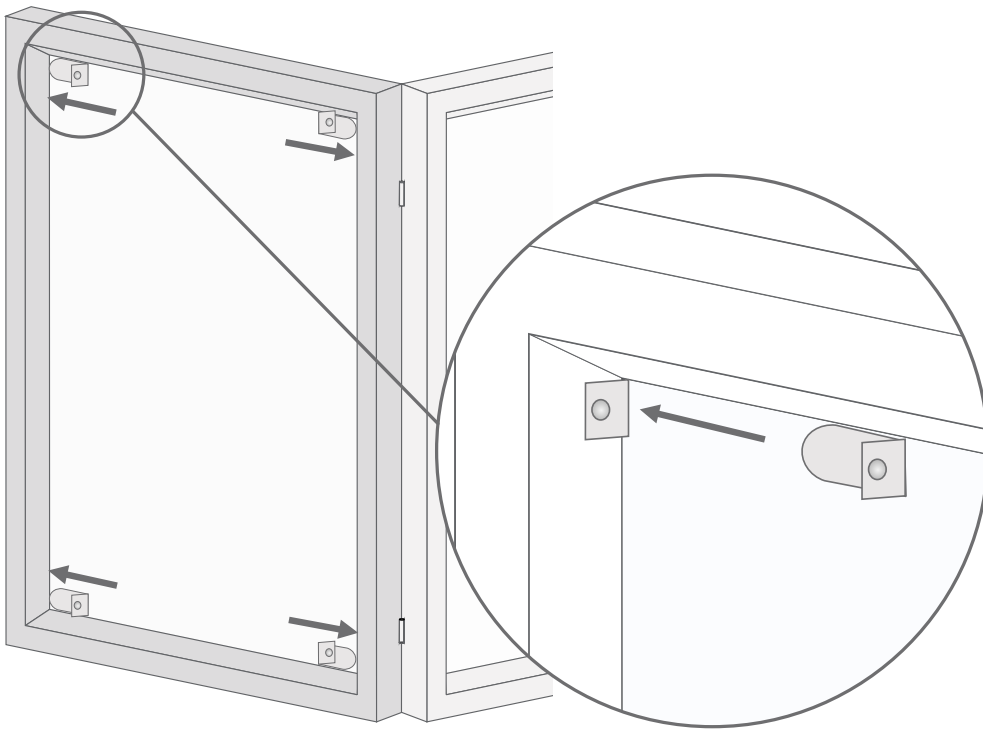


clic

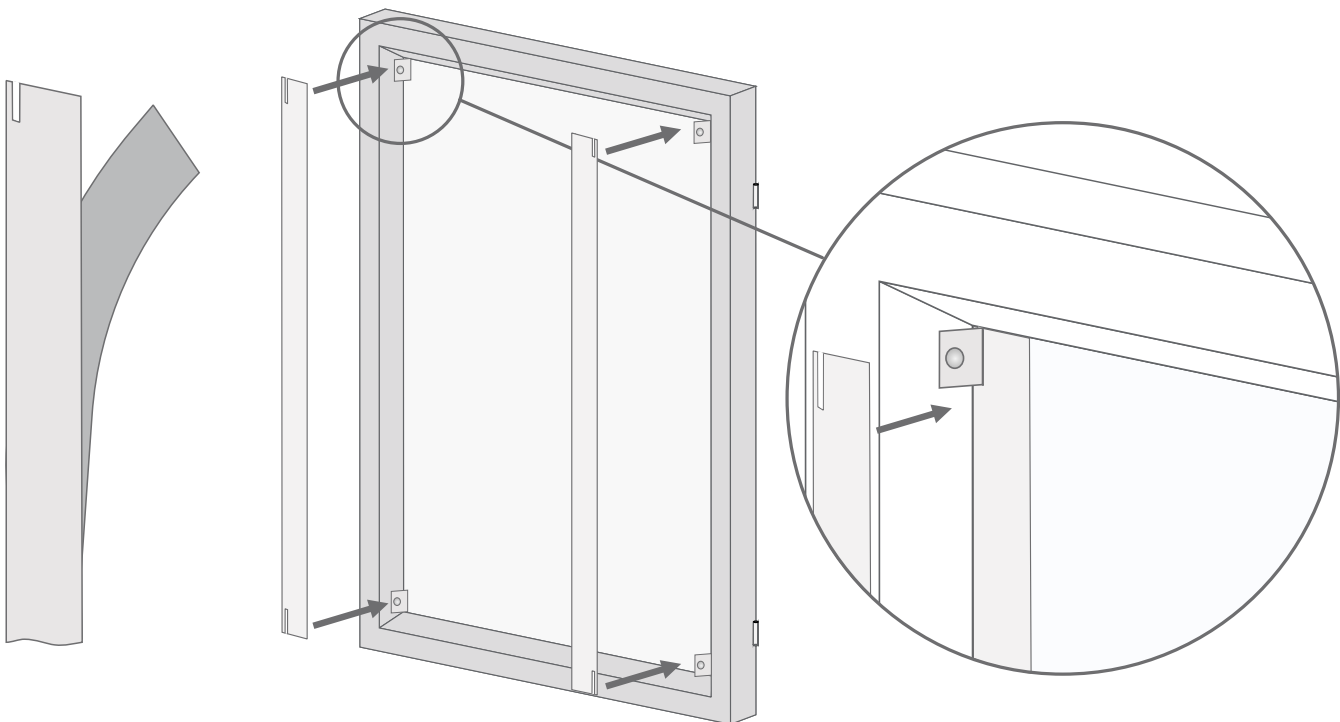
PLEATED, HONEYCOMB  
& VENETIAN BLINDS

FITTING INSTRUCTIONS



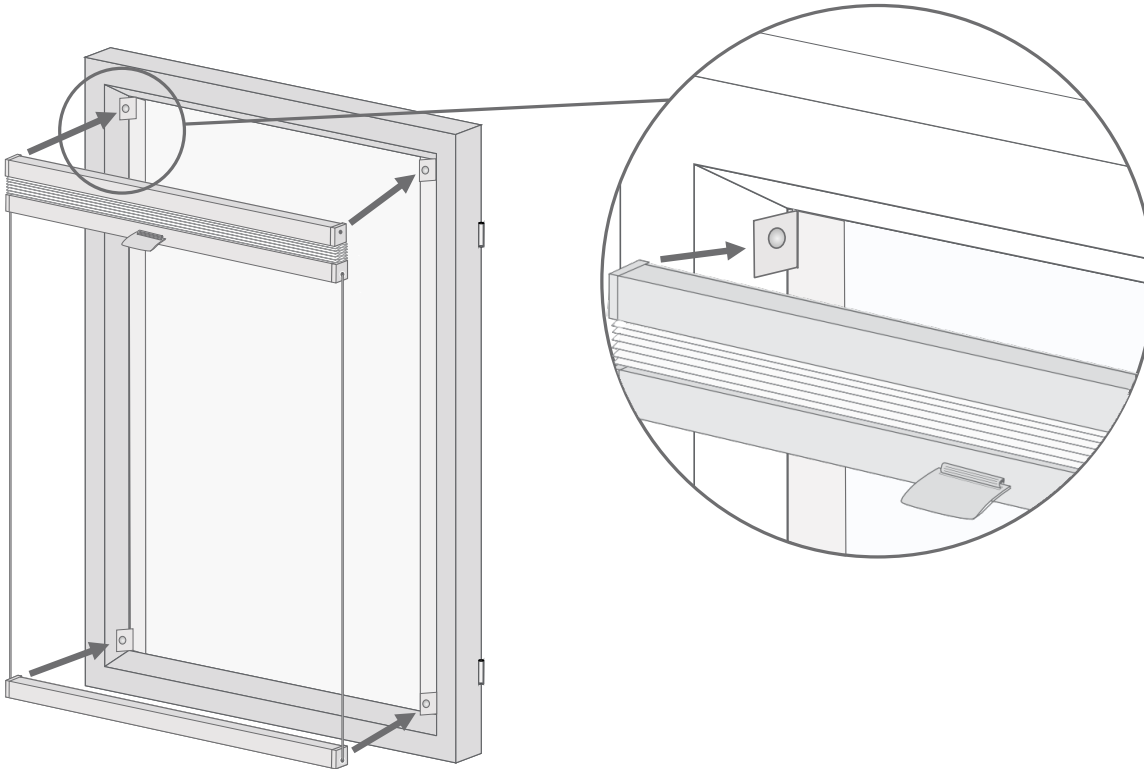
## Fit the brackets

Place the bracket flat to the glass and push it in towards the window frame ensuring that it slides in under the rubber seal. Push the bracket in as far as possible. Do the same with the other three brackets in the other corners of the glass, as shown in the diagram.



## Applying the side profiles

First remove the backing paper from the self adhesive strips. Place the the strip so that the cut outs go either side of the brackets.

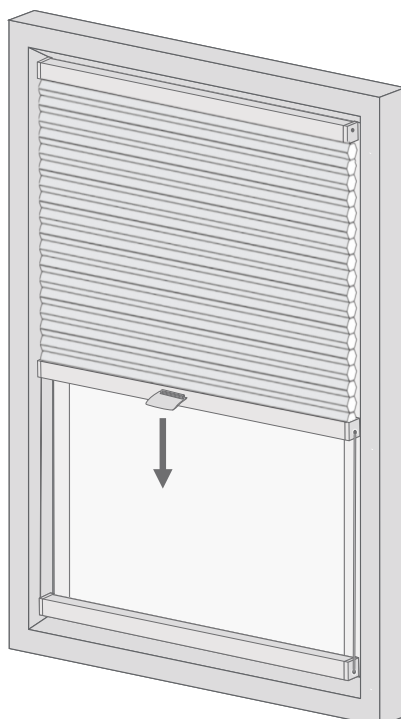
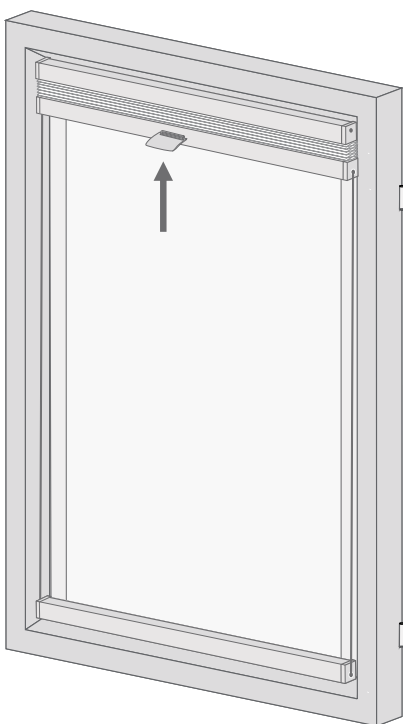


## Install the blinds

Locate the slot on the back of the left and right side of the headrail onto the exposed brackets

Gently push first the headrail and then the bottom rail onto the exposed bracket. Ensure the raised circle on the exposed bracket locates into the hole on the plastic head and bottom rail end caps.

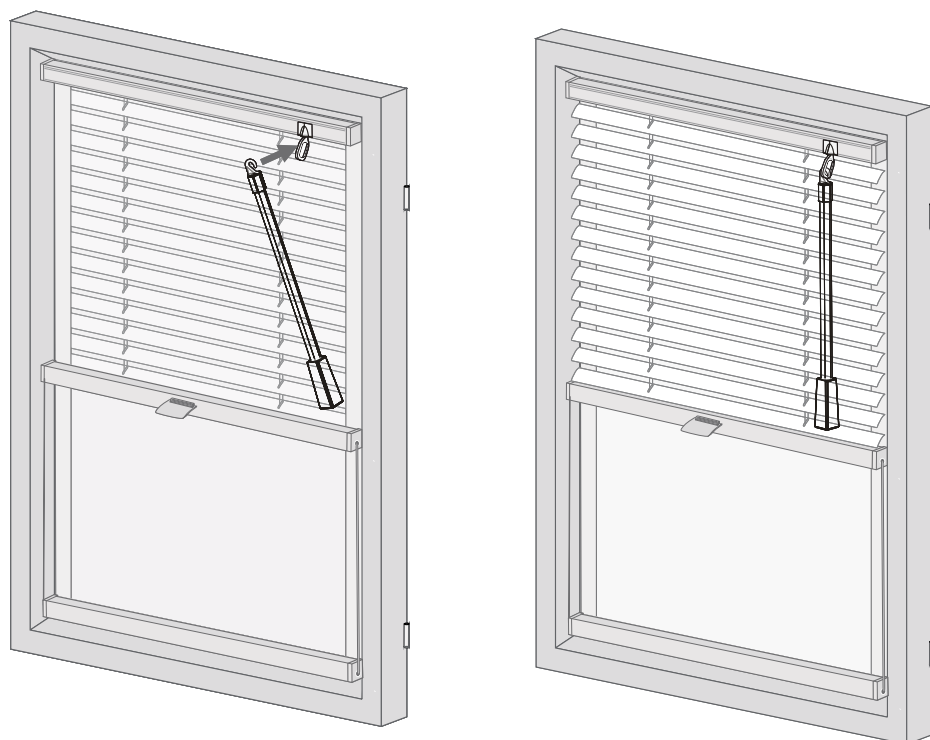
The cord tension can be adjusted using the small spring inside the bottom rail.



## Operating the blinds

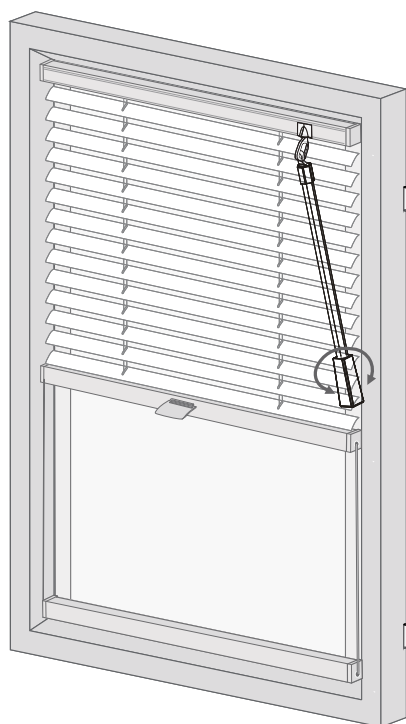
To raise and lower the blinds simply pull up and down using the handle.

The clever, fold away handle makes it ideal to use on bi-fold doors where it is important that the blind does not protrude further than the window frame.



### For venetian blinds only

Attach the plastic wand by hooking the wand onto the tilt mechanism on the venetian blind.



Twist the wand to open and close the slats