



Drive Link for Roller Blinds

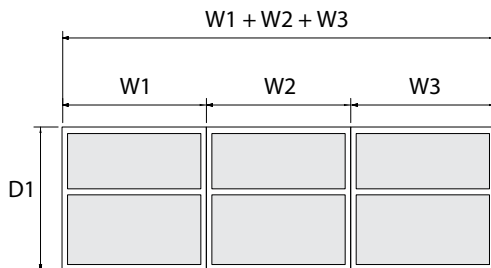
Using one control + multiple blinds

Assembly, Fitting & Operating Instructions

Drive Link - Using One Control

Measurements

Measure your window in the normal way ($W1 + W2 + W3$) and define the desired intermediate point measurement.



Measure your drop.

Deductions & Allowances

Width

Control End blind: deduct 29mm from recess/pin size to your fabric size.

Intermediate blinds: deduct 20mm on each blind from recess/pin size to your fabric size.

Idle End blind: deduct 25mm from recess/pin size to your fabric size.

Please note that if you are using the Louvolite table, add 35mm to get back to your original cutting size.

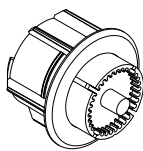
Drop

Allow an extra 300mm on drop (as normal manufacture)

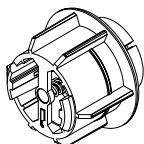
Assembling the Blinds

A. Start by assembling the bottom bars first in the normal way.

B. Then turn the fabric and set the drop (+ 300mm). All blinds must be cut and formed into the tube at the exact same drop size.



Coupling Plunger



Coupling Fixed End

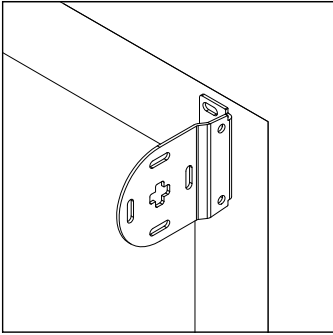
Note: Ensure a Coupling Plunger is inserted into the control blind. The linked blinds will have a coupling plunger and fixed end. The end blind will have a coupling fixed end and a standard idle end.

This method works for both left hand and right hand control blinds.

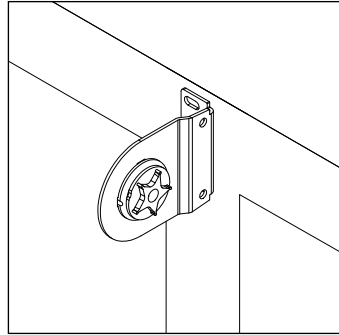
Adding More Blinds

Repeat 'Intermediate Blind Deductions' for more blinds, with steps 2, 3, 7 & 8 for installation.

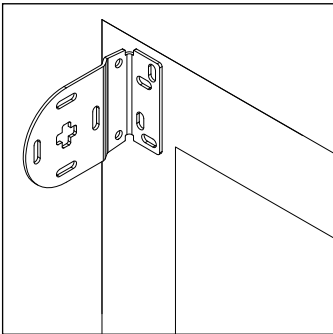
Right hand control



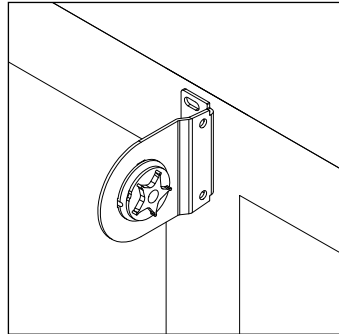
- 1) Starting at the control end side, place and secure a control end bracket at the measurement taken.



- 2) Place an intermediate bracket at the intermediate point 2mm less than the size taken, ensuring the central face of the intermediate bracket lines up accordingly.



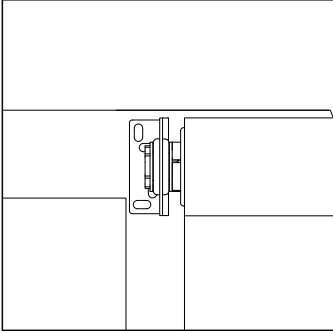
- 3) Locate and secure a control end bracket for the last blind.



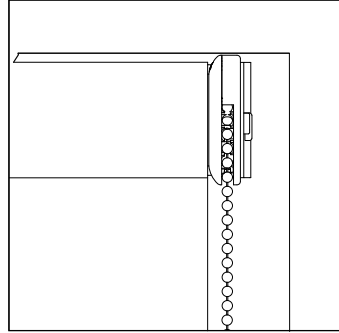
- 4) Place an intermediate bracket at the intermediate point 5mm less than the size taken, ensuring the central face of the intermediate bracket lines up accordingly.

Fitting the Blinds

Fitting the Control End Blind

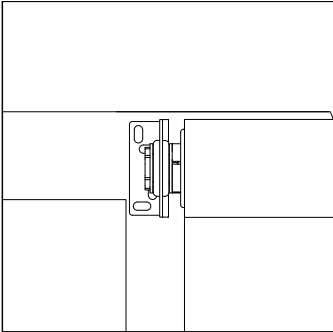


5) Insert Coupling Plunger end through the intermediate bracket.

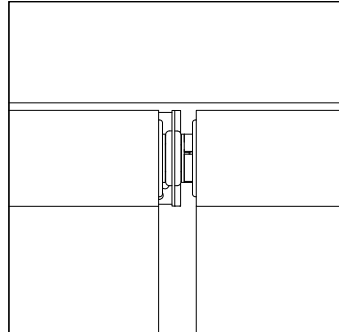


6) Locate, insert and secure control end.

Fitting Intermediate Blind

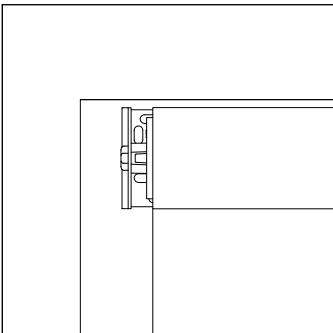


7) Insert Coupling Plunger end through the intermediate bracket.

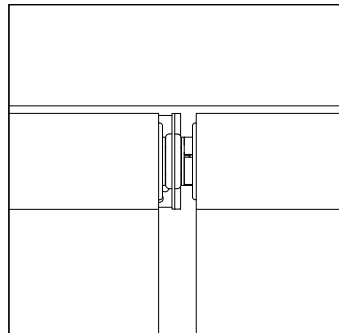


8) Depress the coupling plunger and then locate and secure fixed end into first blind.

Fitting the End Blind

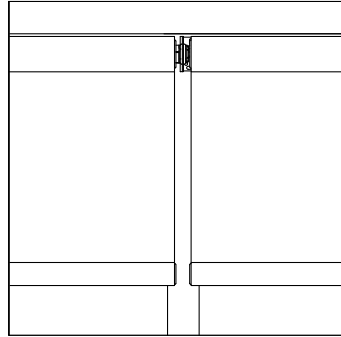
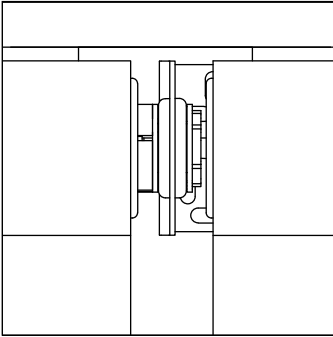


9) Depress idle end plunger into the idle end bracket.

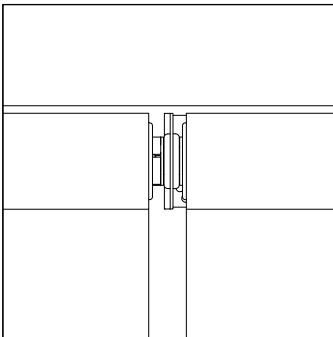


10) Depress the idle end and locate and secure fixed end into previous blind.

Adjusting the Blind



- 11) Adjust the blind to be level with the control blind. Depress the coupling plunger until the blind is free to turn, (drive connector and coupling fixed end disengage) turn blind until bottom bars are level.



- 12) Lock the coupling fixed end back into the drive connector.

Removing Blinds

IMPORTANT NOTE: WHEN REMOVING BLINDS, BLINDS MUST BE REMOVED FROM THE IDLE END ONWARDS. The blinds must be removed in order from the idle end side first or blinds will drop.

Operating the blind

For a conventional roller blind, in order to lower the blind, pull the rearmost length of chain downwards with a smooth and steady pressure. To roll the blind up do the same on the front length of chain.

For a reverse roll blind the opposite is true, to lower use the front chain and to raise, use the rear chain.

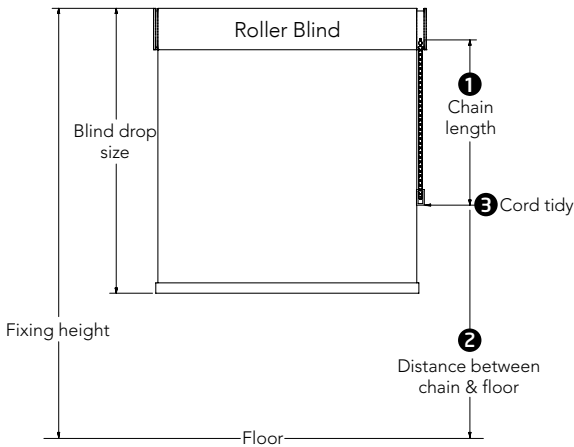
NOTE TO INSTALLER:

Please ensure a general child safety warning tag is fitted on the product.

Notes

Child Safety - BS EN 13120 Guidelines for Roller Blinds

Tensioned System with Cord Tidy



1 If fixing height is unknown

- Blind drop \leq 2.5 metres, the chain length must be \leq 1 metre.
- Blind drop $>$ 2.5 metres, the chain length must be drop of blind minus 1.5 metres.

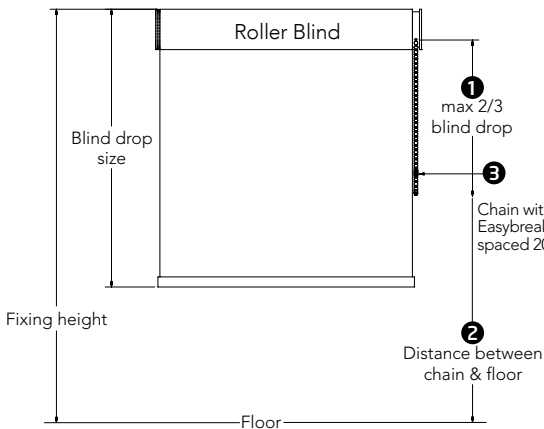
2 If fixing height known

- All blind drop sizes, distance between floor and bottom of chain must be greater than 1.5 metres.

3 Cord tidy

- Affix a cord tidy to the wall at the maximum distance possible from the blind control mechanism ensuring all operating cords are taut (chain no more than 50mm apart at entry/exit of cord tidy).

Breakaway Connector System



1 If fixing height unknown

- Blind drop \leq 2.5 metres, the chain length must be max 2/3 blind drop.
- Blind drop $>$ 2.5 metres, the chain length must be max 2/3 blind drop.

2 If fixing height known

- All blind drop sizes, distance between floor and bottom of chain must be greater than 0.6 metres.

3 Chain must be fitted with 2 x Easybreak connectors 200mm apart

- Will break apart when excessive force is exerted on the chain.

NOTE TO INSTALLER: Please ensure general child safety warning tag is fitted on the product.

WARNING

Young children can be strangled by loops in pull cords, chains, tapes and inner cords that operate the product.

To avoid strangulation and entanglement, keep cords out of the reach of young children. Cords may become wrapped around a child's neck. Move beds, cots and furniture away from window covering cords.

Do not tie cords together. Make sure cords do not twist and create a loop.



Also find us on:



Louvolute Customer Services Tel: 0161 882 5050 Email: sales@louvolute.com
 Visit the Louvolute website to view the links to all of our assembly instructional videos
www.louvolute.com